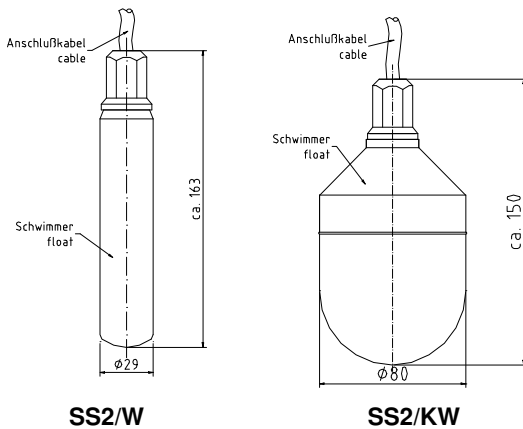


Float Switch **SS2/W** (sleeved-shaped)
 Float Switch **SS2/KW** (pear-shaped)

Applications:

For use as a fill-level switch in waste-water pumping systems, industrial water tanks, rain water collection systems etc. Float switch SS2/KW should be used for viscous media and waste-water pumping systems with residual paper content etc.



Minimum Media Density:

Cable Type 2,4,7: $r/ 1\text{kg/dm}^3$

Cable Type 3 (oil resist): $r/ 0,9\text{kg/dm}^3$

Switching Element:

Potential-free micro-switch, changeover contact

Switching Voltage:

4V - 250V AC / 4V - 30V DC

Caution!

At voltages of greater than 50V, the tank, i.e. the liquid, must be grounded, or the float switch must be operated with safety extra-low voltage.

Switching Current:

1mA - 3A

Please note!

The float switch has been designed for use in applications with 1mA to 3A at 4 to 250V. However, the switch may only be used with a single circuit type for the entire duration of its service life!

Operating Temperature:

+0°...+60°C

Max. Immersion Depth:

5 metres

Max. Operating Pressure:

0.5bar

Cable Type:

SS2/W:

_2 = PVC w. acid resistant PES jacket

3x 0.5mm²

_3 = PVC, oil resistant

3x 0.75mm²

_7 = TPK

3x 0.5mm²

SS2/KW:

as m. a. and additional

_4 = PVC

3x 0.75mm²

Note

When used in media which is not tested by us or media of unknown composition, we take no responsibility for the cable resistance!

Safety Precautions:

- Assembly, initial start-up and maintenance may only be performed by qualified personnel!
- The device may only be connected to the contact interrogation voltages specified in the technical data and on the serial plate!
- Do not open the cable gland!
- Disconnect from all sources of voltage during assembly and maintenance work!
- The device may only be operated under the conditions specified in the operating instructions!

Technical Data:

Materials:

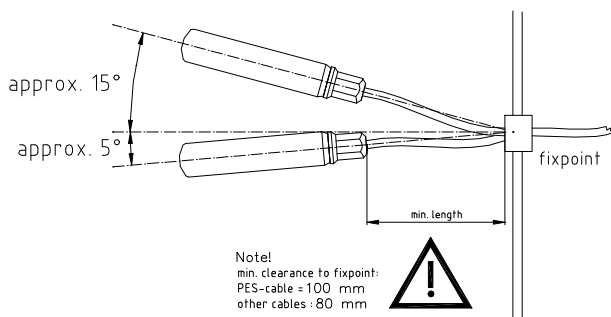
Float and threaded connector: polyethylene (PE-HD)

Assembly and Switching Angle:

The float switch is secured at a fixed point with the cable. The float monitors the fill-level. The integrated contact is switched at a level of approx. 5 to 15° below or above the fixed point.

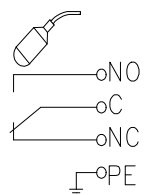
Caution!

The exact switch point depends on the length of the cable between fix point and float switch and on the velocity of the change of the fill level.



Electrical Connection

Cable Type	Contact			PE
	NO	C	NC	
_2	br	bk	bl/bk	-
_3	br	bk	bl	-
_4	2	1	3	-
_7	br	bk	bl	-



CE-Marks:

In accordance with Low Voltage Guidelines (2006/95/EC) and EMV Guidelines (89/336/EEC)